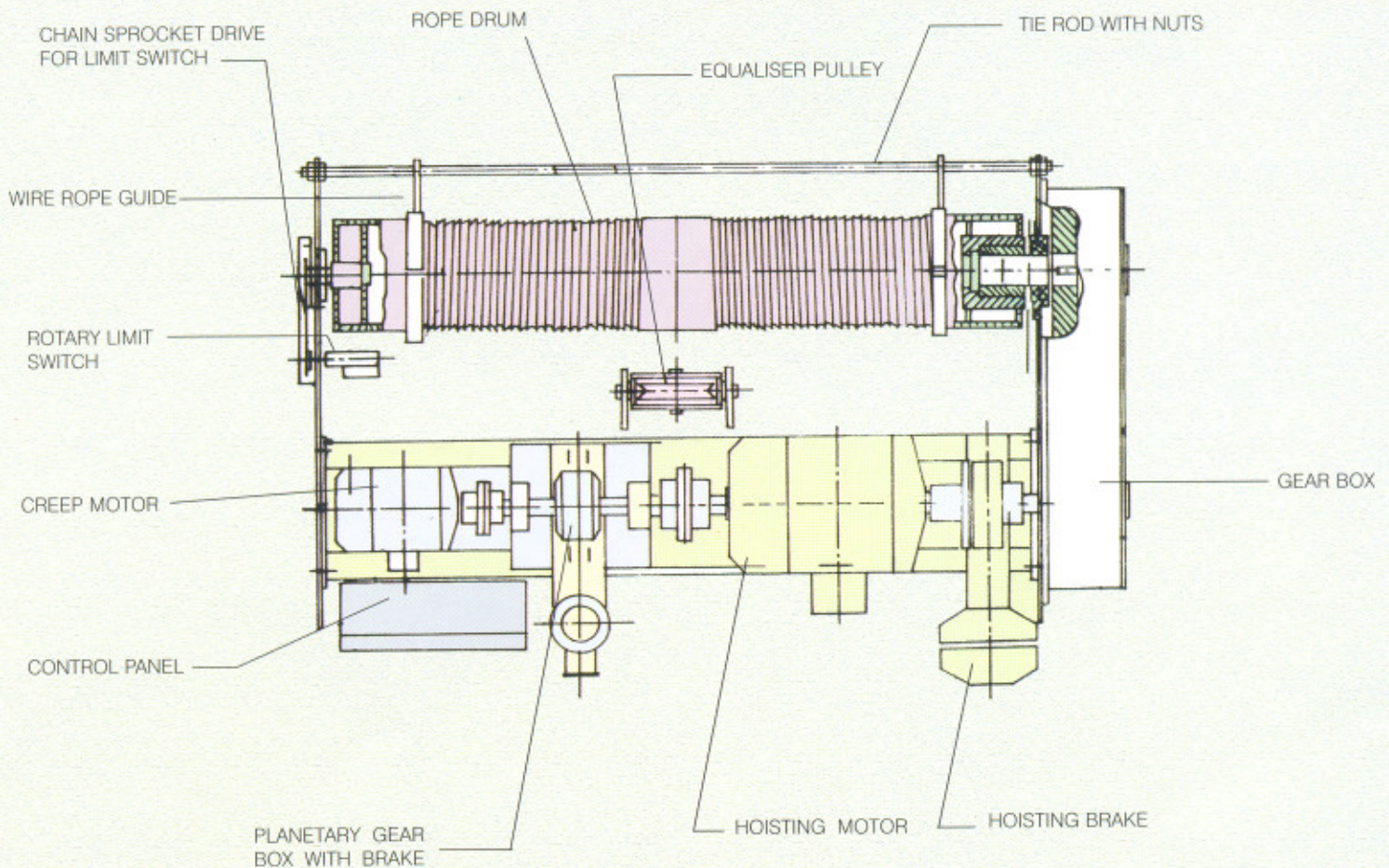


ELMECH



MODULAR ELECTRIC HOISTS

ELMECH MODULAR ELECTRIC HOIST



DESIGN : ELMECH Hoists are designed for heavy duty and high duty functional value. These are compact and are specially developed for Steel Plant Industries. All ELMECH HOISTS are designed conforming to IS:3938, FEM Std and DIN Specification.

MOTORS : Std. squirrel cage, high torque, crane duty motors are in foot/flange mounting. Insulation is Class B or Class F. The motors supplied are of reputed make conforming to IS:325.

Hoisting Brakes : The hoisting motor is fitted with electro-hydraulic thruster or DCEM brake. These brakes are more reliable than ACEM brakes as there is no AC coil which burns frequently. The brake is mounted either between motor & gear box or gear box extension shaft to achieve compact design. Hoist can be provided with two brakes if desired.

Gear Boxes : Module machine cut helical/spur gears made from alloy steel & heat treated are housed in totally enclosed oil filled - fabricated

gear - box. All shafts are supported on anti-friction bearings. Gear box rating conforms to IS:4460.

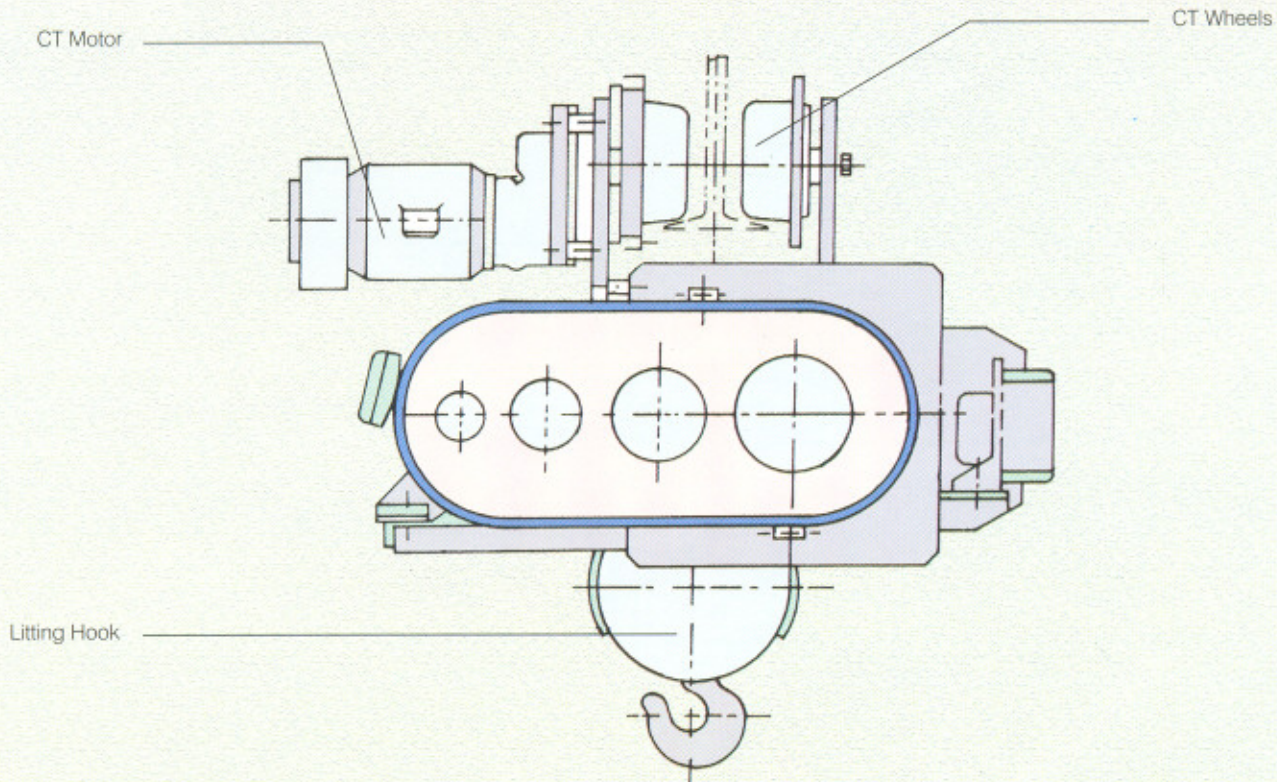
Rope Drums : It is fabricated from mild steel and is stress relieved or is made from seamless pipe having deep grooves to accommodate complete length of wire - rope in single layer.

Wire -Rope : It is of reputed make fibre or steel core type having minimum of four falls. Wire Rope conforms to IS:2266.

Limit Switches : Rotary/Axial limit switches are provided in hoisting motion for preventing over hoisting or over lowering. Similarly lever - type limit - switch can be provided in cross - traverse motion for preventing over travel (at extra cost).

Hook Blocks : Fully tested forged steel hook swiveling through 360 degrees & is mounted on thrust ball bearings. Fabricated/cast steel pulleys rotate on anti-friction bearing. Pulley guards extend around 360 degrees for protection. All hooks are provided with spring latch & conforms to IS:3815/IS:5749.

ELMECH MODULAR ELECTRIC HOIST



Trolley : The hoist trolley is underslung type drive for straight travel on beam. Flexible trolley suitable for curved path can also be supplied. All trolleys are adaptable to large range of flanges of rolled beams or fabricated beams or box sections.

Hoist Control : Control Panel provided on Hoist consists of contactors, Single Phase preventers with built in overload relays, connectors, transformers etc. for smooth operation of Electric Hoists. The Control voltage can be 110V, 48V or 24V depending upon the customer requirement.

Push Button Station : The Push Button Station is suspended from Hoist for easy operation. The pendant Station is supported on Link Chain or Wire Rope so that Load does not come on PVC Pendant Cable.

Pendant Station can also be remotely located, away from Hoist, to suit customer requirements.

Power Supply System : It can be through Trailing Cable or MS Angle Iron Conductor or Bare Copper conductor as per customer requirement.

Testing : All hoists are tested for full load and 25% over load as per IS:3938-1983 at our works prior to despatch.

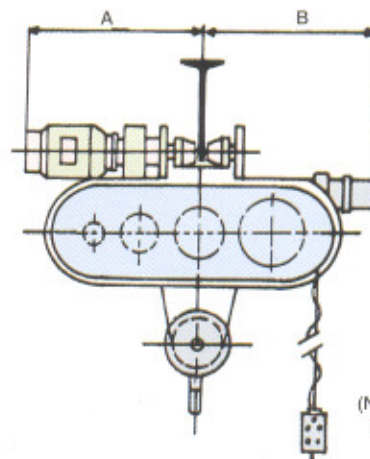
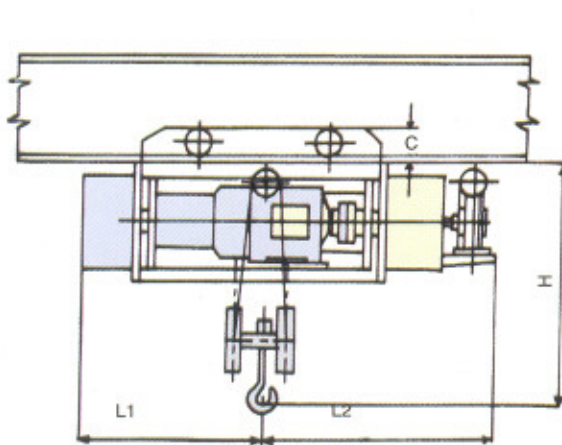
Head room : All "ELMECH" Hoists are designed for Low headroom i.e. distance between bottom of runway beam and hook in top most position. Maximum lift is obtained with low headroom design. This is one of the special features of Modular Construction Electric Hoists.

Type of Mountings :

- Fixed mounting type (mounting to suit customer requirement).
- Manual Push-Pull Trolley type.
- Endless Chain operated Trolley type.
- Motor Driven Trolley type.
- Top Running Double Girder Trolley type.
- Driver's Cabin control type.
- Radio Remote Control type.

Micro Speed Attachment : All Electric Hoists can be supplied with Micro Speed attachment with Reverse Thrustor, Planetary Gear Box, Squirrel Cage Motor arrangement to achieve desired slow / micro speed.

ELMECH MODULAR ELECTRIC HOIST



DISC BRAKE FOR C. T.
(NO BRAKE FOR C. T. IN CASE
OF FLAME PROOF HOIST.)

MODULAR HOIST

MODEL	CAPACITY KGS	LIFT METER (Indicative)	HOIST SPEED MPM	TRAVEL SPEED MPM	MOTOR		WIRE ROPE dia in mm	No. OF FALLS	Weight in Kg. (Approx)
					Hoist HP	Travel HP			
1 - MDH - 10	1000	10	5.0	10	1.3	0.5	6	4	700
2 - MDH - 10	2000	10	5.0	10	2.7	0.5	8	4	900
3 - MDH - 10	3200	10	5.0	10	6.0	0.5	10	4	1300
5 - MDH - 10	5000	10	3.0	10	6.0	0.5	12	4	1800
8 - MDH - 10	8000	10	3.0	10	9.4	1.0	16	4	2300
10 - MDH - 10	10000	10	3.0	10	9.4	1.0	18	4	2600
16 - MDH - 10	16000	10	2.5	10	13.4	1.0	16	8	3200
20 - MDH - 10	20000	10	2.5	10	16.8	1.0	18	8	4000
25 - MDH - 10	25000	10	2.0	10	16.8	1.5	18	8	4800
32 - MDH - 10	32000	10	2.0	10	19.4	1.5	20	8	6100

DIMENSIONS

MODEL	A	B	C	L1	L2	H
1 - MDH - 10	500	500	200	650	650	750
2 - MDH - 10	550	500	200	650	650	800
3 - MDH - 10	550	550	200	800	800	900
5 - MDH - 10	650	700	200	900	1000	1000
8 - MDH - 10	750	750	250	1100	1200	1200
10 - MDH - 10	850	850	250	1200	1200	1200
16 - MDH - 10	1000	1000	250	1400	1400	1500
20 - MDH - 10	1100	1100	300	1550	1600	1500
25 - MDH - 10	1200	1200	300	1600	1800	1650
32 - MDH - 10	1350	1450	400	2100	2200	2000

NOTES:

- ★ THE HOIST CAN BE MANUFACTURED TO SUIT BEAM SIZE AS AVAILABLE OR TO SUIT BOX GIRDER SECTION.
- ★ HIGHER LIFTS UPTO 100 METERS CAN BE OFFERED. THE RELEVANT DIMENSIONAL DATA WILL BE FURNISHED ON REQUEST.
- ★ HOISTING & TRAVEL SPEED INDICATED ARE STD SPEEDS. HIGHER OR LOWER SPEEDS CAN BE OFFERED.
- ★ MICROSPEED ATTACHMENT FOR HOIST CAN BE OFFERED.
- ★ THE HOIST CAN BE OFFERED IN FLAME PROOF CONSTRUCTION SUITABLE FOR GAS GROUP IIA / IIB OR IIC & TEMP CLASS T3.
- ★ HIGHER CAPACITY HOIST CAN BE OFFERED.
- ★ ALL MOTORS ARE HIGH TORQUE SQ. CAGE, 6/8 POLE, CLASS B INSULATED, SUITABLE FOR 150 STARTS/HR
- ★ DIMENSION INDICATED ABOVE ARE FOR CLASS II, MEDIUM DUTY HOIST AS PER IS-3938.
- ★ ALL DIMENSIONS SUBJECT TO CHANGE.



EDDYCRANES

ENGINEERS PVT. LTD.

3/23, Tardeo Airconditioned Market,
Tardeo Road, Mumbai-400 034. Phones : 4945103/4961798/4984210
Telefax : 022-4951886/022-6409611 E-mail: eddycran@bom3.vsnl.net.in

Works : 66/8, Block D2, MIDC Industrial Area, Chinchwad, Pune 411019.
Telephone : 770521,779650 Telefax : 0212-774816

other products.

- ★ Conical Rotor Electric Hoists
- ★ SG EOT/US-SGEOT Cranes
- ★ Steel Mill/Grabbing Duty Cranes
- ★ Double Girder HOT/EOT/Goliath Cranes
- ★ Grab Buckets
- ★ HOT Single Girder Cranes
- ★ Electric Winches
- ★ Flame Proof Cranes and Hoist
- ★ Consultancy for Material Handling